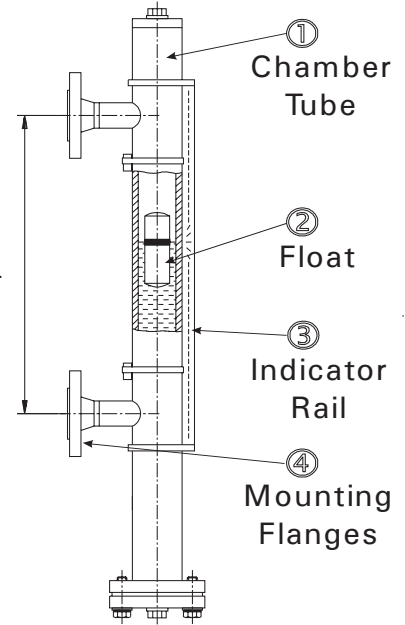


GENERAL INFORMATION

Company: _____
 Address: _____
 Name: _____
 Telephone: _____ Fax: _____

FLUID CHARACTERISTICS

Fluid: Water Oil Other _____ L
 Minimum Nominal Maximum
 Pressure: _____ psia _____ psig
 Temperature: _____ deg F _____ deg C
 Density: _____ lb/ft³ _____ SGU
 Viscosity: _____ cP _____ cks



GAUGE MATERIALS

1. Chamber Tube: 316 SS PVDF PVC PP Other
 316 SS/PVDF Liner 316 SS/PTFE Liner
 2. Float: 316 SS Titanium (specific gravity less than 0.75)
 PVDF coated PTFE coated
 3. Indicator Rail: Plastic, up to 212 deg F (100 deg C) Aluminum, up to 750 deg F (400 deg C)

PROCESS CONNECTION

Flange

Flange Size: 1/2" 3/4" 1" 2"
 Flange Rating: 150# 300# 600# Other _____
 Flange Material: Carbon Steel Stainless Steel PVC Other _____

(or) Threaded

Thread Size: 1/2" 3/4" 1" 1 1/2" Male NPT Female NPT

GAUGE REQUIREMENTS

Indication Length, "L": _____ inches _____ feet Distance between process connection centerline.
 Tank Depth: _____ inches _____ feet
 Tank Material: _____
 Scale: Aluminum scale in inches & feet
 Insulation: Armaflex, -60 to 231 deg F (-75 to 105 deg C) Ceramic, up to 1112 deg F (600 deg C)
 Heat Trace: Steam Electric Specify requirements.
 Vent: 1/2" plug 3/4" plug Vent with NPT valve
 Drain: 1/2" plug 3/4" plug Drain with NPT valve
 Inspection: X-ray inspection of welds

TRANSMITTER & LEVEL SWITCHES

Analog Transmitter, 2 wire

Output: 4-20 ma. Power: 24 Vdc 115 Vac 60 Hz 230 Vac 60 Hz
 Tx Enclosure Rating: Weatherproof Explosion Proof Rating: _____

Level Switch(s), SPDT

(switches are bi-stable)

Switch Rating: Weatherproof, IP68; 60 va, 15 watt with 10' cable Ex sG 5 intrinsically safe w/10' cable
 Explosion proof (Cl 1, Div 1,2, Gr C,D)
 Upper Location: High _____ inches _____ feet Location along "L" indication length.
 Lower Location: Low _____ inches _____ feet Location along "L" indication length.
 Other Location: _____ Number of other switches; specify location(s).

Other Requirements:

Submitted by: _____

Date: _____